




Installation and Operating Manual

Model F3200C
Model F3200PG
Model F3202C
Model F3202PG

Contents

Safety Warnings 	2
Items supplied	3
Description	3
Installation	4
Operation	4
Maintenance	4
Troubleshooting	5
Technical Data	5
Part Numbers	6
Warranty	6
Contact Information	6

Safety Warnings

CAUTION: When using electrical devices, the following basic safety measures must be followed in order to prevent shock, injury, or fire.

CAUTION: Electrical connection must be done by a certified electrician in accordance with all applicable codes.

For safe and successful operation of this equipment, please read this user guide completely. If the instructions stated herein are not observed or followed, the manufacturer cannot assume responsibility for any harm or damage to the operator or equipment. Please retain this manual for future reference.

Always disconnect the power supply before servicing the equipment.

Do not operate this equipment without filter inserts as contaminants in the extracted air will damage the blower. Use only filters recommended or supplied by IP Systems.

The F3200 is designed for the removal of fumes and gases only. Consult your company's Safety Department when using this equipment for filtering flammable gases. This equipment is not explosion safe and can **only** be used for the extraction of vapors that have concentration level well below the lower explosive limit.

Consult your Safety Department if the concentration level of fumes exceed the permissible "safety limit" as set by your local authority in order to ensure that the equipment is adequate for your application.

The blower motor of this equipment is protected with an automatic thermal overload device and will restart automatically after the motor has cooled down.

This equipment is to be repaired only by IP Systems or its authorized Service Representative while it is under warranty.

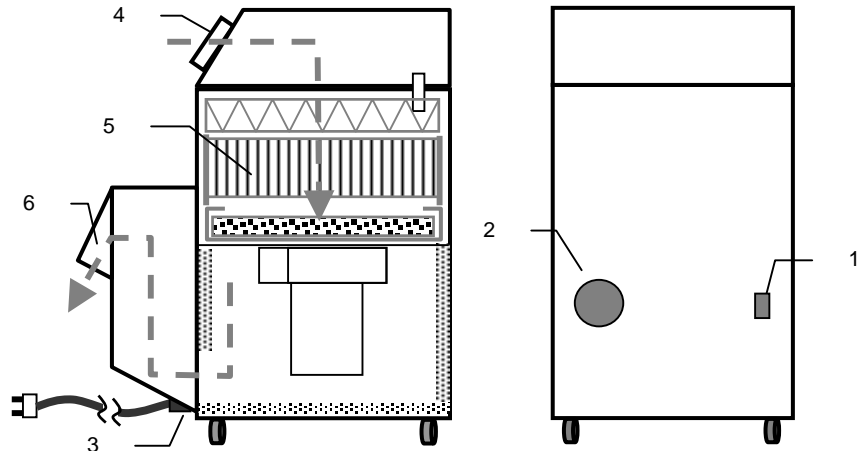
Items supplied

- 1 - Filter unit with filters installed
- 1 - Power cord (110VAC or 230VAC)
- 1 - User Guide

Description

Parts and Functions

- (1) On / Off switch
- (2) Filter Monitor (Differ. Pressure Gauge)
- (3) Power inlet and circuit breaker
- (4) Air inlet - port sizes vary by model number.
- (5) Filters
- (6) Air outlet



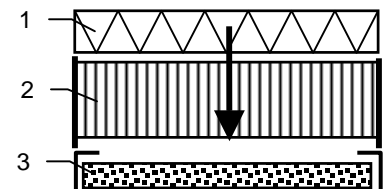
Model Variations

Model Number	Power Supply	Filtration
F3200C	115 VAC, 60 Hz	Pre / HEPA / Gas
F3200PG	115 VAC, 60 Hz	Pre / HEPA / Deep-Bed Gas
F3202C	230 VAC, 60 Hz	Pre / HEPA / Gas
F3202PG	230 VAC, 60 Hz	Pre / HEPA / Deep-Bed Gas

HEPA = Highly Efficient Particulate Arrestor

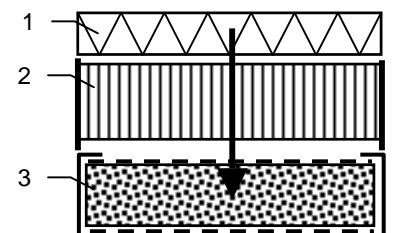
Models with Pre / HEPA / Gas filtration (all "C" models):

Supplied with a Pre-filter (1), HEPA-filter (2) and a Gas-filter (3). These models are designed for the removal of solder, laser-, and other fumes which have a high particulate content.



Models with Pre / HEPA / Deep-Bed Gas filtration (all "PG" models):

Supplied with a Pre-filter (1), a HEPA filter (2) and a high capacity Gas-filter (3). These models are designed for a highly efficient filtration of gases, odors as well as particulates.



⚠ For use on "flammable" gases refer to "Safety Warnings" above.

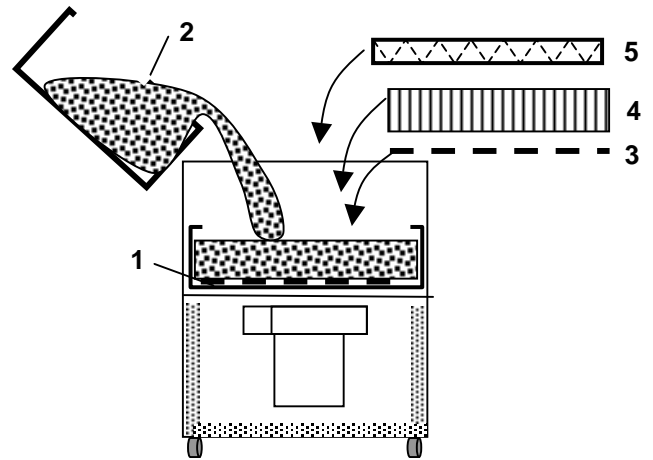
Installation

Set-Up

⚠ Models F3200PG and F3202PG:

Do not operate before removing shipping bag of carbon from inside of unit.

- Filling of carbon tray on Models F3200PG and F3202PG:
 - Open up unit and remove pleated filter (5) and HEPA filter (4).
 - Remove box filled with bulk carbon located inside metal tray.
 - Open box and place one blue filter mat onto bottom of metal tray (1).
 - Pour carbon (2) from bag into tray and distribute carbon evenly in tray.
 - Place second blue mat (3) on top of carbon.
 - Place HEPA filter (4) on top of carbon tray and then pleated Prefilter (5).
 - Place lid (6) back on unit and close latches.



Note: the above steps are not necessary on Models F3200C and F3202C.

- Position equipment in the work area and make sure there is ample access to the unit for filter maintenance.
- Connect extraction hoses to the air inlets.
- Connect the power cord to the equipment and to a grounded wall socket.
- Follow operating and maintenance procedures stated in this user guide.

Operation

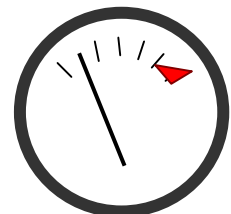
⚠ Do not operate the equipment without installing filters. Unfiltered air contaminants may damage motor bearings and other components. Use only factory recommended filters.

- Toggle switch (1) to turn the equipment ON / OFF
- Monitor gauge (2) for filter condition

Maintenance

Filter Replacement Timing

- Models with Pre / HEPA-Carbon filters (all "C" models)
 - When the gauge needle falls into the red marked field, it is time to change filters.
Change pre-filter first. If the needle of the analog gauge remains near to the "red" mark, also replace the HEPA and carbon filter.



- Models with Pre / HEPA / Deep-Bed Gas filter (all “PG” models)
 - When the gauge needle falls into the red marked field, it is time to change the particulate filters. Change pre-filter first. If the needle of the analog gauge remains near to the “red” mark, also replace the HEPA filter.
 - When odor is noticeable in the exhaust air, change the carbon of the gas-filter.

Filter Replacement Procedure

- Turn equipment off and disconnect the power source
- Unlatch the lid of the filter unit and open up unit
- Replace filters
- Close lid and lock the latches
- Reconnect to power source and turn unit on

Always use new replacement filters from the original manufacturer! Do not try to clean the filters!

Filter Disposal

Keep “used” filters in disposable bags or closed containers to avoid contamination of other areas. While the filter material is none-hazardous, the contaminants captured inside the filter may be hazardous. Please consult the MSDS sheets for the material used at your facility and follow the prescribed handling instructions. Follow your local regulations for disposal of used filters.

Troubleshooting

Problem	Possible Cause	Check and Correction
Equipment does not turn on	No power	Check ON / OFF switch Check power cord connections and integrity Check circuit breaker (at rear of unit) Automatic thermal overload stopped the motor. Wait until motor has cooled down.
Minimum air flow	Air leak	Check lid for properly closure and latching
	Air blockage	Check extraction hose for any blockage Check filter monitor for filter saturation

Technical Data

Model No.	F3200C (F3202C)	F3200PG (F3202PG)
Fan capacity	1100 cfm	1100 cfm
System capacity	600 cfm	500 cfm
Max. suction force	7” WG	7” WG
HEPA efficiency	99.97% at 0.3mic	99.97% at 0.3mic
Carbon capacity	double mat	40 – 50 lbs
Power supply	115VAC, 60 Hz	115VAC, 60 Hz
(F3202C+PG)	(230VAC, 60 Hz)	(230VAC, 60 Hz)
Motor power (input)	¾ HP	¾ HP
Noise level	60 dBA	60 dBA
Dimensions (w/d/h)	22”/ 36”/ 43.5”	22”/ 36”/ 43.5”
Weight, approx.	180 lbs	220 lbs

Part Numbers

Filter Units

F3200C	Filter Unit Pre / HEPA / Gas, 600 cfm, 115VAC/ 60Hz
F3200PG	Filter Unit Pre / HEPA / Deep-Bed Gas, 500 cfm, 115VAC/ 60Hz
F3202C	Filter Unit Pre / HEPA / Gas, 600 cfm, 230VAC/ 60Hz
F3202PG	Filter Unit Pre / HEPA / Deep-Bed Gas, 500 cfm, 230VAC/ 60Hz

Replacement Filters

For Models F3200C / F3202C:

Fil32P040	Pre-filter Pleated 60% efficiency (2/pack)
Fil32H020	HEPA filter, 99.97%, HC, 20x22x6"
Fil32G010	Carbon filter (double mat), 20x22"

For Models F3200PG / F3202PG:

Fil32P040	Pre-filter Pleated 60% efficiency (2/pack)
Fil32H020	HEPA filter, 99.97%, HC, 20x22x6"
Fil0050	Activated carbon refill bag (50lbs)
Fil32M010	Filter Mat, blue, 20x22 (6/pack)

Warranty

IP Systems warrants the F3200 Series against any defects in materials or workmanship for one (1) year from the date of purchase by the original owner. This warranty excludes filters, normal maintenance, and shall not apply to any opened, misused, abused, altered or damaged items. If the product should become defective within the warranty period, IP Systems will repair or replace it free of charge at its sole discretion. The repaired or replacement item(s) will be shipped, freight prepaid, to the original purchaser. The warranty period will start from the date of purchase. If the date of purchase cannot be substantiated the date of manufacture will be used as the start of the warranty period.

For repair or return of the equipment anytime, a Return Material Authorization Number (RMA #) must be obtained from IP Systems. Customer ships to factory "freight prepaid" – "collect" shipments are not accepted. IP Systems pays for return freight.

Contact Information

For Sales and Customer Care

IP Systems, LLC
50-A Satellite Blvd. NW
Suwanee, GA 30024
USA
Phone: 770-614-7701
Fax: 770-614-7707
sales@ipsystemsusa.com
www.ipsystemsusa.com